



TECHNICAL DATA

Flow rate maximum: from 0,9 m³/h a 7,2 m³/h

Head up to: 88 m

Maximum immersion depth: 20 m (12 meters on the plate for 15m cable length)

Type of pumped liquid: clean, free from solid or abrasive substances, non-viscous, non-aggressive, non-crystallized and chemically neutral

Sand quantity: 50 g/m³

Liquid temperature range: from 0°C to +40°C

Flanges, thread: 1" 1/4 GAS

Pump maximum diameter: 138 mm

Impeller/s material: technopolymer

Maximum number of starts: 20/h

Non-stop service: IP 68

Protection class: F

Motor insulation class: 230 V 50 Hz

Power cable (m) and plug: 3x230 V 50 Hz / 3x400 V 50 Hz

Single phase power input: 15 m H07RN-F

Possible type of installation: fixed or removable, in vertical or horizontal position

Special versions on request: different voltages and frequencies, different cable length

Certification: CB report is available

5" submersible multi-impeller single bloc pump with pump body in stainless steel. The single-phase versions can be supplied with float for automatic operation. Pump for pressurization, lifting water and gardening and irrigation in residential building service.

CONSTRUCTION FEATURES OF THE PUMP

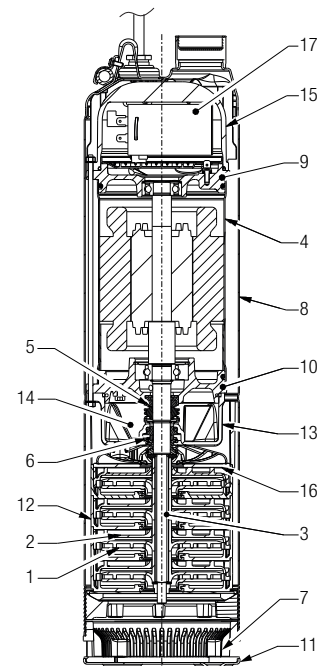
Pump body in AISI 304 stainless steel. Technopolymer impellers, diffusers, filter and oil chamber. Hydraulic part positioned under the motor. Double mechanical seal with interposed oil chamber, ceramic-carbon on the motor side and silicon carbide on the pump side. The applied sealing system guarantees the watertight seal of the motor and the good functioning of the mechanical seal even in case of short dry running.

CONSTRUCTION FEATURES OF THE MOTOR

Continuous duty asynchronous submersible motor, cooled by the pumped liquid. Rotor mounted on oversized ball bearings. Motor shaft in AISI 303 stainless steel. Stator inserted in an airtight stainless steel casing and covered by a lid that contains wiring and condenser. Thermo-ampereometric protection and permanent capacitor included in the standard single-phase version. Protection by the user in the three-phase version.

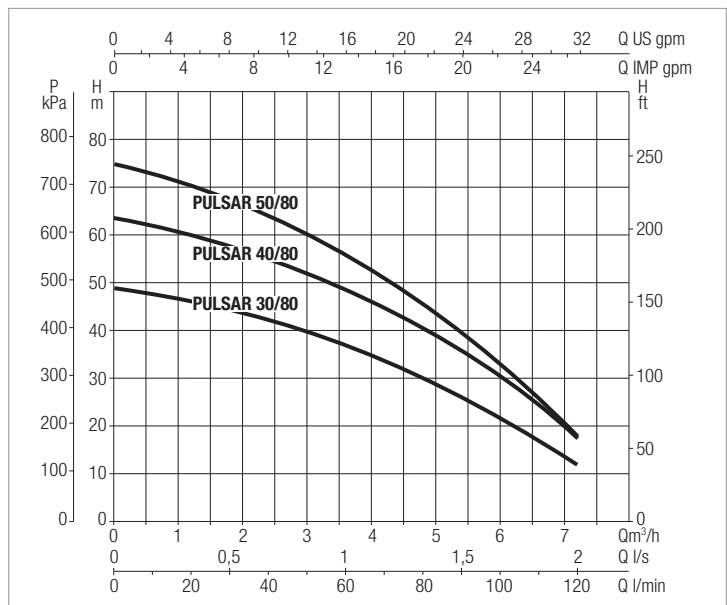
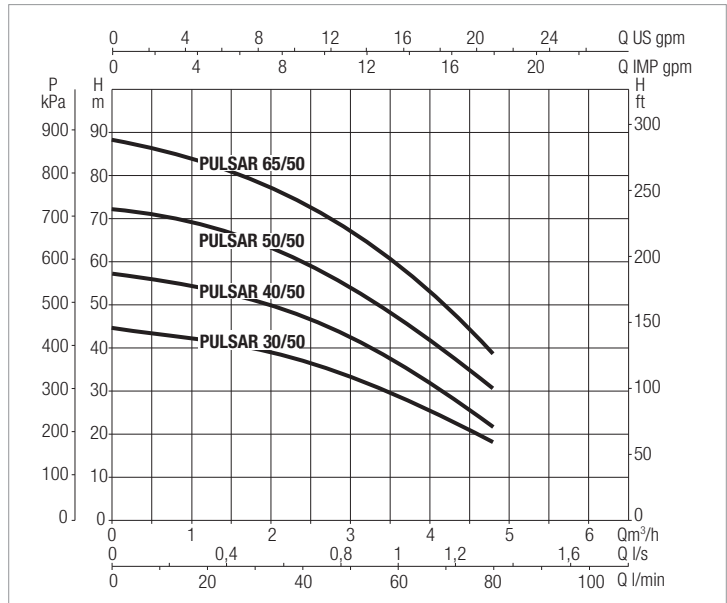
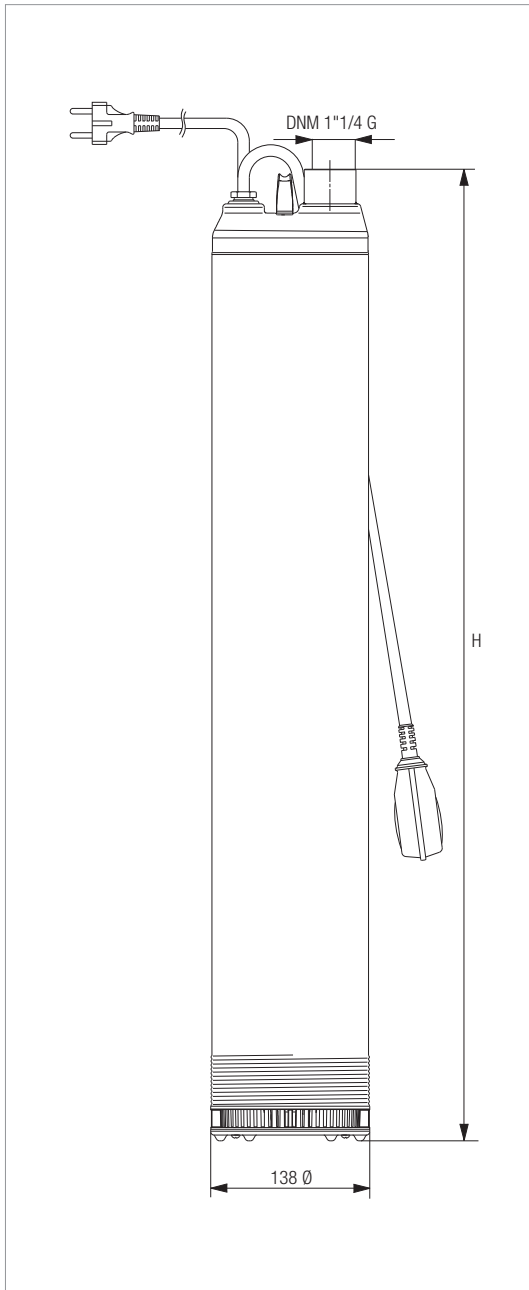
MATERIALS

N°	PARTS	MATERIALS
1	IMPELLER	TECHNOPOLYMER
2	DIFFUSER	TECHNOPOLYMER
3	SHAFT WITH ROTOR	AISI 303 (Part in contact with the pumped liquid)
4	STATOR SLEEVE	AISI 304
5	UPPER MECHANICAL SEAL	NBR / ALUMINA / CARBON
6	LOWER MECHANICAL SEAL	NBR / SIC/ CARBON
7	SUCTION STRAINER	TECHNOPOLYMER
8	EXTERNAL SLEEVE	AISI 304
9	UPPER BEARING SUPPORT	BRONZE ALLOY
10	LOWER BEARING SUPPORT	BRONZE ALLOY
11	STRAINER COVER	AISI 304
12	DIFFUSER HOUSING	TECHNOPOLYMER
13	OIL CHAMBER	TECHNOPOLYMER
14	LUBRIF. OIL	ESSO MARCOL 172 OIL
15	COVER ELECTRICAL BOX	TECHNOPOLYMER
16	REAR DISC	TECHNOPOLYMER
17	CAPACITOR	-



PERFORMANCE AT 50 HZ

MODEL	HYDRAULIC DATA							
	Q=m ³ /h	0	1,2	2,4	3,6	4,8	6	7,2
	Q=l/min	0	20	40	60	80	100	120
PULSAR 30/50	H (mt)	44	42	37	29	18	-	-
PULSAR 40/50		57	53	48	36	22	-	-
PULSAR 50/50		72	68	60	46,5	31	-	-
PULSAR 65/50		88	83	74	60	38,5	-	-
PULSAR 30/80		49	46	43	37	31	22,5	12
PULSAR 40/80		64	60	56	48	41	31	18
PULSAR 50/80		75	71	66	60	50	37	20



The performance curves are based on kinematic viscosity values = 1 mm²/s and density equivalent to 1000 kg/m³. Curve tolerance according to ISO 9906.

ELECTRICAL DATA AND DIMENSIONS - PULSAR 50

MODEL	ELECTRICAL DATA							H mm	PACKING DIMENSIONS			VOLUME PACKING m ³	Q.TY X PALLET	WEIGHT Kg
	POWER INPUT 50 Hz	P1 kW	P2 NOMINAL		In A	CAPACITOR			L/A	L/B	H			
			kW	HP		μF	Vc							
PULSAR 30/50 M-A	1 x 230 V ~	1	0,65	0,87	4,5	20	450	562	720	180	240	0,031	18	17,3
PULSAR 30/50 M-NA	1 x 230 V ~	1	0,65	0,87	4,5	20	450	562	720	180	240	0,031	18	16,7
PULSAR 30/50 T-NA	3 x 230 V ~	1	0,64	0,86	3,4	-	-	562	720	180	240	0,031	18	17,3
	3 x 400 V ~	1	0,64	0,86	2	-	-	562	720	180	240	0,031	18	17,3
PULSAR 40/50 M-A	1 x 230 V ~	1,2	0,77	1	5,4	20	450	562	720	180	240	0,031	18	17,5
PULSAR 40/50 M-NA	1 x 230 V ~	1,2	0,77	1	5,4	20	450	562	720	180	240	0,031	18	17
PULSAR 40/50 T-NA	3 x 230 V ~	1,2	0,79	1,1	3,9	-	-	562	720	180	240	0,031	18	17,5
	3 x 400 V ~	1,2	0,79	1,1	2,2	-	-	562	720	180	240	0,031	18	17,5
PULSAR 50/50 M-A	1 x 230 V ~	1,6	1,13	1,5	7,35	25	450	630	720	180	240	0,031	18	18,5
PULSAR 50/50 M-NA	1 x 230 V ~	1,6	1,13	1,5	7,35	25	450	630	720	180	240	0,031	18	18
PULSAR 50/50 T-NA	3 x 230 V ~	1,5	1,12	1,5	4,85	-	-	630	720	180	240	0,031	18	18,5
	3 x 400 V ~	1,5	1,12	1,5	2,8	-	-	630	720	180	240	0,031	18	18,5
PULSAR 65/50 M-A	1 x 230 V ~	1,9	1,3	1,7	8,3	30	450	657	720	180	240	0,031	18	19,5
PULSAR 65/50 M-NA	1 x 230 V ~	1,9	1,3	1,7	8,3	30	450	657	720	180	240	0,031	18	19
PULSAR 65/50 T-NA	3 x 230 V ~	1,8	1,3	1,7	6,1	-	-	657	720	180	240	0,031	18	19,5
	3 x 400 V ~	1,8	1,3	1,7	3,5	-	-	657	720	180	240	0,031	18	19,5

ELECTRICAL DATA AND DIMENSIONS - PULSAR CB 50

MODEL	ELECTRICAL DATA							H mm	PACKING DIMENSIONS			VOLUME PACKING m ³	Q.TY X PALLET	WEIGHT Kg
	POWER INPUT 50 Hz	P1 kW	P2 NOMINAL		In A	CAPACITOR			L/A	L/B	H			
			kW	HP		μF	Vc							
PULSAR CB 30/50 M-A	1 x 230 V ~	1	0,65	0,87	4,5	-	-	562	720	180	240	0,031	18	17,3
PULSAR CB 30/50 M-NA	1 x 230 V ~	1	0,65	0,87	4,5	-	-	562	720	180	240	0,031	18	16,7
PULSAR CB 40/50 M-A	1 x 230 V ~	1,2	0,77	1	5,4	-	-	562	720	180	240	0,031	18	17,5
PULSAR CB 40/50 M-NA	1 x 230 V ~	1,2	0,77	1	5,4	-	-	562	720	180	240	0,031	18	17
PULSAR CB 50/50 M-A	1 x 230 V ~	1,6	1,13	1,5	7,35	-	-	630	720	180	240	0,031	18	18,5
PULSAR CB 50/50 M-NA	1 x 230 V ~	1,6	1,13	1,5	7,35	-	-	630	720	180	240	0,031	18	18
PULSAR CB 65/50 M-A	1 x 230 V ~	1,9	1,3	1,7	8,3	-	-	657	720	180	240	0,031	18	19,5
PULSAR CB 65/50 M-NA	1 x 230 V ~	1,9	1,3	1,7	8,3	-	-	657	720	180	240	0,031	18	19

ELECTRICAL DATA AND DIMENSIONS - PULSAR 80

MODEL	ELECTRICAL DATA							H mm	PACKING DIMENSIONS			VOLUME PACKING m ³	Q.TY X PALLET	WEIGHT Kg
	POWER INPUT 50 Hz	P1 kW	P2 NOMINAL		In A	CAPACITOR			L/A	L/B	H			
			kW	HP		µF	Vc							
PULSAR 30/80 M-A	1 x 230 V ~	1,2	0,78	1,1	5,5	20	450	562	720	180	240	0,031	18	17,5
PULSAR 30/80 M-NA	1 x 230 V ~	1,2	0,78	1,1	5,5	20	450	562	720	180	240	0,031	18	17
PULSAR 30/80 T-NA	3 x 230 V ~	1,2	0,78	1,1	4	-	-	562	720	180	240	0,031	18	17,5
	3 x 400 V ~	1,2	0,78	1,1	2,3	-	-	562	720	180	240	0,031	18	17,5
PULSAR 40/80 M-A	1 x 230 V ~	1,6	1,1	1,5	7,4	25	450	630	720	180	240	0,031	18	18,5
PULSAR 40/80 M-NA	1 x 230 V ~	1,6	1,1	1,5	7,4	25	450	630	720	180	240	0,031	18	18
PULSAR 40/80 T-NA	3 x 230 V ~	1,5	1,1	1,5	4,85	-	-	630	720	180	240	0,031	18	18,5
	3 x 400 V ~	1,5	1,1	1,5	2,8	-	-	630	720	180	240	0,031	18	18,5
PULSAR 50/80 M-A	1 x 230 V ~	1,9	1,3	1,7	8,3	30	450	657	720	180	240	0,031	18	19,5
PULSAR 50/80 M-NA	1 x 230 V ~	1,9	1,3	1,7	8,3	30	450	657	720	180	240	0,031	18	19
PULSAR 50/80 T-NA	3 x 230 V ~	1,8	1,3	1,7	5,9	-	-	657	720	180	240	0,031	18	19,5
	3 x 400 V ~	1,8	1,3	1,7	3,4	-	-	657	720	180	240	0,031	18	19,5


ELECTRICAL DATA AND DIMENSIONS - PULSAR CB 80

MODEL	ELECTRICAL DATA							H mm	PACKING DIMENSIONS			VOLUME PACKING m ³	Q.TY X PALLET	WEIGHT Kg
	POWER INPUT 50 Hz	P1 kW	P2 NOMINAL		In A	CAPACITOR			L/A	L/B	H			
			kW	HP		µF	Vc							
PULSAR CB 30/80 M-A	1 x 230 V ~	1,2	0,78	1,1	5,5	-	-	562	720	180	240	0,031	18	17,5
PULSAR CB 30/80 M-NA	1 x 230 V ~	1,2	0,78	1,1	5,5	-	-	562	720	180	240	0,031	18	17
PULSAR CB 40/80 M-A	1 x 230 V ~	1,6	1,1	1,5	7,4	-	-	630	720	180	240	0,031	18	18,5
PULSAR CB 40/80 M-NA	1 x 230 V ~	1,6	1,1	1,5	7,4	-	-	630	720	180	240	0,031	18	18
PULSAR CB 50/80 M-A	1 x 230 V ~	1,9	1,3	1,7	8,3	-	-	657	720	180	240	0,031	18	19,5
PULSAR CB 50/80 M-NA	1 x 230 V ~	1,9	1,3	1,7	8,3	-	-	657	720	180	240	0,031	18	19

CONTROL BOX PULSAR

Electrical control box for operation of single-phase submersible electric pumps, containing manually resettable thermal protection, capacitor, and terminals for the connection of a pressure switch/float switch.

Wall-mounting box in self-extinguishing thermoplastic.

	SINGLE-PHASE MODEL	MOTOR POWER kW	OVERLOAD PROTECTION AMP	CAPACITOR μ F	WEIGHT Kg
	CONTROL BOX PULSAR 0.9	0,65	6	20	1,7
	CONTROL BOX PULSAR 1	0,75	7	20	1,7
	CONTROL BOX PULSAR 1.5	1,1	9	25	1,7
	CONTROL BOX PULSAR 1.75	1,3	10	30	1,7